



**comfort gear™**  
HEATERS FOR WORK, HOME AND PLAY!

# USER'S MANUAL AND OPERATING INSTRUCTIONS

World Marketing of America, Inc (WMAI)  
PO Box 192  
Mill Creek, PA 17060

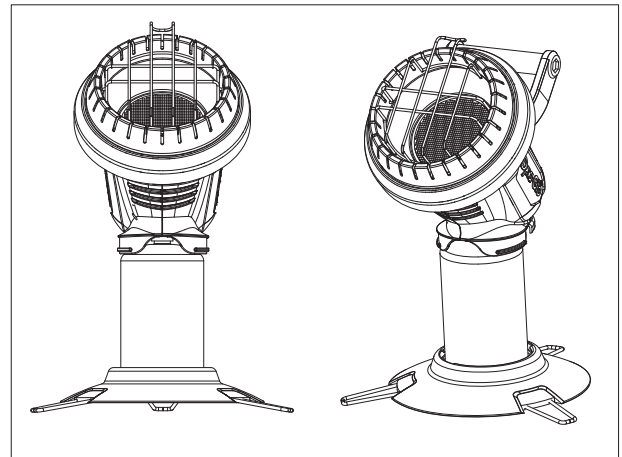
MODEL#  
**PPH04**



ANSI Z21.103-2017 Unvented portable type  
gas camp heaters for indoor and outdoor use

**READ INSTRUCTIONS CAREFULLY:**  
Read and follow all instructions. Place instructions in a safe place for future reference. Do not allow anyone who has not read these instructions to assemble, light, adjust or operate the heater.

PORTABLE PROPANE HEATER FOR  
OUTDOOR,  
EMERGENCY INDOOR, AND  
RECREATIONAL ENCLOSURES  
FOR US SALE EXCEPT  
MASSACHUSETTS



## **⚠ WARNING**

### **FIRE OR EXPLOSION HAZARD**

If you smell gas:

1. Do not attempt to light appliance.
2. Extinguish any open flame.
3. Disconnect fuel supply.
4. Leave the area immediately.
5. Allow gas to dissipate 5 minutes before relighting the appliance.

**Do not store or use gasoline or other flammable vapors and liquids in the vicinity of this or any other appliance.**

**Failure to follow these instructions could result in fire or explosion, which could cause property damage, personal injury, or death.**

## **⚠ WARNING**

### **CARBON MONOXIDE POISONING MAY CAUSE DEATH OR INJURY**

**When used without adequate combustion and ventilation air, heater may give off excessive CARBON MONOXIDE, an odorless, poisonous gas.**

**This is an unvented gas-fired heater. The heater uses air (oxygen) from the area in which the heater is used. Adequate combustion and ventilation air must be provided. (Refer to page 4)**

This heater is equipped with a SAFETY SYSTEM designed to turn off the heater if not enough fresh air is available.

**DO NOT TAMPER WITH THE SAFETY SYSTEM!**

If the heater shuts off, do not relight until you provide fresh air. If heater keeps shutting off, have the heater serviced. Keep burner and control compartment clean.

### **CONSUMER: Retain this manual for future reference.**

Questions, problems, missing parts? Before returning to your retailer, call our customer service department at 800-776-9425 8:30 a.m. – 5:00 pm EST, Monday – Friday or email us at [info@worldmktng.com](mailto:info@worldmktng.com) [www.worldmktng.com.com](http://www.worldmktng.com.com)

WMAIPPH4K\_23

**TABLE OF CONTENTS**

Service / Parts Ordering Information ..... 1  
General Information ..... 3  
General Safety Instructions ..... 4  
Tank Installation Instructions ..... 5  
Lighting Operation Instructions ..... 7  
Maintenance ..... 10  
Troubleshooting ..... 11  
Parts List ..... 13  
Warranty ..... 16

** WARNING:**

Every time hose or tank is connected to unit, connection must be checked for leaks in one or more ways: Apply soapy water to connection, look for bubbles, listen for hiss of escaping gas, feel for extreme cold, smell for rotten egg odor. Do not use if leaking!

** WARNING:**

Any changes to this heater or its controls can be dangerous.

** WARNING:**

Early signs of carbon monoxide poisoning resemble the flu, with headache, dizziness and/or nausea. If you have these signs, heater may not be working properly.  
Get fresh air at once! Have heater serviced.

** WARNING:**

Some people-pregnant women, persons with heart or lung disease, anemia, those under the influence of alcohol, those at high altitudes - are more affected by carbon monoxide than others.

** WARNING:**

If the recreational or commercial enclosure does not have a window or roof vent that is open, DO NOT USE THIS HEATER inside.

**NOTICE:** Not for use in a "dwelling home" in California. Never use these heaters in a bedroom or bathroom.

** WARNING:**

This product and the fuels used to operate this product (liquid propane), and the products of combustion of such fuels, can expose you to chemicals including benzene, which is known to the State of California to cause cancer and birth defects or other reproductive harm. For more information go to [www.p65Warnings.ca.gov](http://www.p65Warnings.ca.gov)

**EMERGENCY INDOOR USE IS DEFINED AS**

1. The permanent heating system is temporarily out of service.
2. Heat is necessary to prevent damage to the property or contents.
3. The temporary heating equipment is not left unattended.

**NEVER LEAVE THE HEATER UNATTENDED WHILE BURNING!**

## GENERAL INFORMATION:

- This heater is safe for indoor use in small recreational enclosures, having means for providing combustion air and ventilation, such as enclosed porches, cabins, fishing huts, trailers, tent trailers, tents, truck caps and vans. It may be used for emergency indoor heating when connected to a disposable 1 lb. propane cylinder and for indoor use in commercial enclosures, having means for providing combustion air and ventilation, such as construction trailers or temporary work enclosures.
- When the heater is cold or at room temperature, it will take a few minutes for the burner to turn bright orange. This is normal, and the heater is working properly. Also, during the initial lighting, the oil used during manufacturing process needs to burn off. This can take up to 60 minutes of continuous burning. Some odor and yellow flames may occur during this time but will diminish after the burn-in period.
- It is recommended not to use the heater in windy conditions. The heater may flutter reducing the effectiveness of the appliance and could have excessive pilot outages.
- When moving heater when lit or bumping heater setting it down, tip over switch will shut off heater. If this happens, re-light.
- Operating time will vary depending on the heater setting and the supply cylinder size. See chart and "Cold Weather Operations" section.
- Installation of this appliance at altitudes above 2000 ft (610 m) shall be in accordance with local codes, or in the absence of local codes, ANSI Z223.1/NFPA 54 or CSA B149.1.

## COLD WEATHER OPERATION:

- Cold weather is generally defined as ambient temperatures below 32 degrees F.
- 1 lb. propane cylinders have difficulty producing sufficient gas at lower temperatures and can "freeze-up", reducing the time of operation by as much as 50-70%.
  1. Expect operating times to be significantly reduced.
  2. Adequate ventilation and combustion air must be provided.
  3. Maintain all clearances as specified on Page 4.

### **WARNING**

Carefully watch the Heater for signs of the 1 lb. cylinder "freezing-up". If the lower portion of the burner starts to turn from orange to blue and begins sputtering, immediately shut off the heater and remove it from any enclosure.

**NEVER LEAVE THE HEATER  
UNATTENDED WHILE BURNING!**

## SPECIFICATIONS

MODEL NO.....PPH04  
 GAS TYPE .....PROPANE  
 INPUT BTU/HR. ....4200  
 MAX. SUPPLY PRESSURE.....BOTTLE PRESSURE  
 CLEARANCE TO COMBUSTIBLES  
 TOP ..... 30 inches (762 mm)  
 FRONT ..... 24 inches (310 mm)  
 SIDES ..... 6 inches (153 mm)  
 REAR ..... 0 inches (0 mm)

### CAUTION:

- Some linoleum surfaces may discolor if heater is placed directly on these floor coverings.

Cylinder Size	Operating Time
	PPH04
One 1 lb. cylinder	5 hrs

## GENERAL SAFETY INSTRUCTIONS

**THIS IS A HEATING APPLIANCE. DO NOT OPERATE THIS APPLIANCE WITHOUT THE WIRE GUARD INSTALLED. DO NOT ATTEMPT TO WARM OR COOK FOOD ON THIS HEATER.**

- Do not use non-approved attachments on this heater.
- Due to high temperatures, the appliance should be located out of traffic and away from combustible materials.
- Children and adults should be alerted to the hazard of high surface temperatures and should stay away to avoid burns or clothing ignition.
- Young children should be carefully supervised when they are near the appliance.
- Do not place clothing or other flammable material on or near the appliance.
- Do not operate heater in any moving vehicle.
- This heater can be used in a recreational or commercial enclosure with a window or roof vent. It may also be used outdoors.
- This heater requires a vent area of 5 square inches minimum for adequate ventilation during operation. Do not use other fuel burning appliances inside.
- Regulator in heater must always be in place during operation.
- Any guard removed for servicing the appliance must be replaced prior to operating the heater.
- The appliance should be inspected before each use. Frequent cleaning may be required. The control compartments, burner and circulating air passageways of the appliance must be kept clean, see MAINTENANCE.
- DO NOT use this heater if any part has been under water. Immediately call a qualified service technician to inspect the heater and to replace any part of the control system and any gas control which has been under water.
- When used without adequate combustion and ventilation air, this heater may give off excessive CARBON MONOXIDE, an odorless, poisonous gas.
- Some people - pregnant women, persons with heart or lung disease, anemia, those under the influence of alcohol, those at high altitudes - are more affected by carbon monoxide than others.
- Cylinders must be disconnected when the heater is not in use.
- When heater is placed on the ground, make sure the ground is level and keep any objects at least 30" from the top, 24" from the front and 6" from the side of the heater. This heater is equipped with a tip over switch that will shut the heater off if the heater tips over. However, do not leave heater unattended or where children may cause the heater to tip over. Never operate the heater while sleeping!
- Do not leave this appliance unattended while it is in operation. Keep children and pets away from the appliance at all times.
- This heater can be used in a recreational enclosure only if the enclosure has a window or roof vent.

**NEVER LEAVE THE HEATER UNATTENDED WHILE BURNING!**

## TANK INSTALLATION INSTRUCTIONS

### Tank Installation for DOT Certified 1 lb. Propane Cylinder(s)

- Thread cylinder into the heater inlet. Be careful to not cross thread.
- Check for gas leaks by using a 50% soap-water solution at the joint of the regulator and cylinder.

## EMERGENCY INDOOR USE

- Adequate combustion air and ventilation must be provided when the appliance is in use. Refer to General Safety Instructions on Page 4 for additional information.
- Only disposable 1 lb. cylinders, marked as PROPANE can be used with this heater.
- NEVER bring a refillable propane cylinder indoors. A fire or explosion can occur causing property damage, serious injury, or death.
- The LP-gas cylinder(s) must be constructed and marked in accordance with the specifications for LP-gas cylinders of the U.S. Department of Transportation (DOT).
- Not for use in a Bedroom or Bathroom.

**NEVER LEAVE THE HEATER  
UNATTENDED WHILE BURNING!**

## LIGHTING, OPERATION, AND SHUTDOWN INSTRUCTIONS

Unvented Portable Type Heaters Must Not be Exposed to Flammable Vapors or Liquids.

1. Make sure the control knob is in the OFF position.
2. Install the one pound cylinder(s) as described on page 5.  
Check for gas leaks by using a 50% soap-water solution at the joint of the regulator and cylinder.
3. Depress and turn the control knob to the pilot position.  
With the knob still depressed, rotate the knob between the OFF and PILOT position activating the piezo igniter until the pilot flame ignites.
4. Continue holding the knob down in the PILOT position for **30 seconds or until pilot flame holds.**
5. Release the knob. The knob should return to the fully extended position and the pilot should remain lit.
6. Turn on the burner by depressing the knob slightly and gently turn the knob to the ON position.

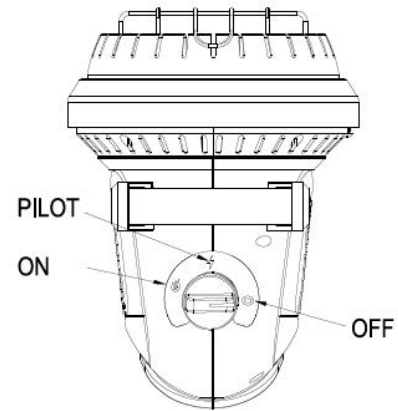


Fig. 1 - Model 4K Lighting Control Panel

## LIGHTING IN WINDY AREAS

1. Position the heater such that the Pilot is opposite the direction that the wind is coming from. See figure 2
2. Position your body behind the heater such that your body blocks the wind while you are following the instructions for lighting the unit.

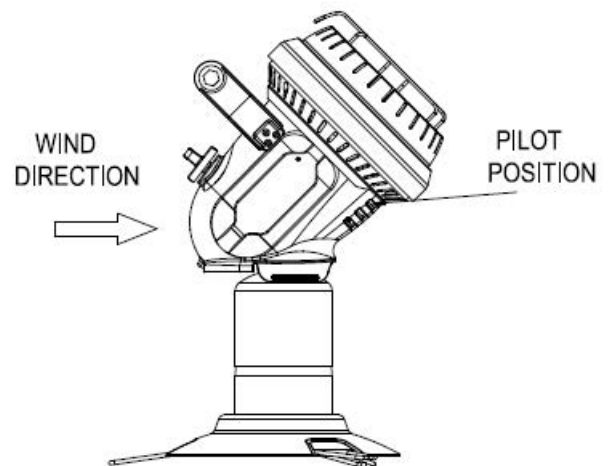


Fig. 2 - Lighting in Windy Areas

**NEVER LEAVE THE HEATER  
UNATTENDED WHILE BURNING!**

## IMPORTANT NOTICE

### REGARDING THIRD PARTY ATTACHMENTS TO ALL WORLD MARKETING OF AMERICA, INC. PERSONAL PROPANE HEATERS

These heaters, which are sold by World Marketing of America, Inc.(WMAI), feature an Oxygen Depletion Sensor (“ODS”), which shuts off the heater if the oxygen in the room gets below a certain point, and a tip-over safety switch that turns it off in the event of it being knocked on its side. These features allow the heater to be safely used during numerous indoor and outdoor activities.

WMAI recognizes the many different third party attachments for the personal propane heater and is aware of their intended purpose of using the product to heat or cook food. WMAI strongly encourages that these third party attachments NOT be used as they are neither certified, nor safe to be used to warm or cook food of any kind. These Heaters are not certified as a cooker and are not designed to operate in this manner. WMAI explicitly prohibits the use of any type of non-approved attachments with its personal propane heaters.

## **WARNING:**




This product is a heater. It is certified to **ANSI Z21.103-2017** Unvented portable type gas camp heaters for indoor and outdoor use.

This product is NEVER to be used for the cooking or warming of foods as doing so can interfere with the safety systems of the heater, which may result in a fire, explosion, the production of deadly carbon monoxide, and personal injury or death to you or others. NEVER use hand-made or third party accessories or attachments with this heater; this is extremely dangerous and may result in personal injury or death to you or others

### **WARRANTY LANGUAGE**

WMAI warrants its heaters and accessories to be free from defects in material and workmanship for a period of 1-year from date of purchase. WMAI will repair or replace this product free of charge if it has been proven to be defective within the 1-year period and is returned at customer expense with proof of purchase to WMAI within the warranty period. **DISCLAIMER:** This warranty does not cover any product that: a) has been subject to misuse or neglect; b) has been used in a manner inconsistent with the warnings and instructions contained in the owner’s manual, including but not limited to using a heater for the cooking or warming of foods; or c) has been used with hand-made or third party accessories or attachments.

WMAI prohibits the personal propane heaters from being used for cooking or warming foods. Third party attachments intended to change the intended operation of the heaters are prohibited for use as they could cause serious harm to consumers. Using such products with WMAI heaters will immediately void the product warranty. WMAI values the safety of its consumers above all else and appreciates your continual trust in all WMAI products. Please feel free to contact us at [info@worldmkting.com](mailto:info@worldmkting.com) with any questions.

-  **CAUTION:** After turning heater off, wire guard will remain hot. Allow to thoroughly cool before moving or storing.
-  **CAUTION:** When not in use, the gas must be turned off at the LP-gas supply cylinder. As stated before, allow heater to use up propane in supply line until heater shuts off. When the LP-gas supply cylinder is not disconnected from the heater, the cylinder must be stored outdoors, in a well ventilated space, out of reach of children, and must not be stored in a building, garage or any other enclosed area. Disconnect all cylinders when heater is not in use.
-  **CAUTION:** Indoor storage of the heater is permissible only if the cylinder is disconnected and removed from the heater. Cylinders must be stored outdoors out of the reach of children and must not be stored in a building, garage or any other enclosed area. 1 lb. cylinders must be Dept. of Transportation (DOT) constructed and approved and have an outlet connection compatible with a CGA 600 fitting.

**NEVER LEAVE THE HEATER  
UNATTENDED WHILE BURNING!**

## MAINTENANCE:

Always keep the heater area clear and free from combustible materials, gasoline and other flammable vapors and liquids. Keep the vent areas (slots in the bottom and the top at the front of heater) clear at all times so combustion air and ventilation is not obstructed. Visually inspect the pilot flame and burner periodically during use so combustion air and ventilation is not obstructed. The pilot flame should be blue in color (not yellow) and will extend beyond the thermocouple. The flame will surround the thermocouple just below the tip, see Figure 4. A slight yellow flame may occur where the pilot flame and main burner flame meet. The burner(s) should be bright orange (with a slight blue color around the border, a red-orange haze that is visible on the burner is acceptable) and without a noticeable flame. A blue flame that rolls out at the top indicates an accumulation of dust, lint or spider webs inside the main burner assembly. If the pilot is yellow or the burner has a noticeable flame, cleaning may be required. Use the following procedure to inspect main burner assembly. It is necessary to periodically check the burner(s) orifice and burner venturi tube to make sure they are clear of insects/nests or spider webs that may accumulate over time. It is strongly recommended that these maintenance instructions be performed annually. A clogged tube can lead to a fire.

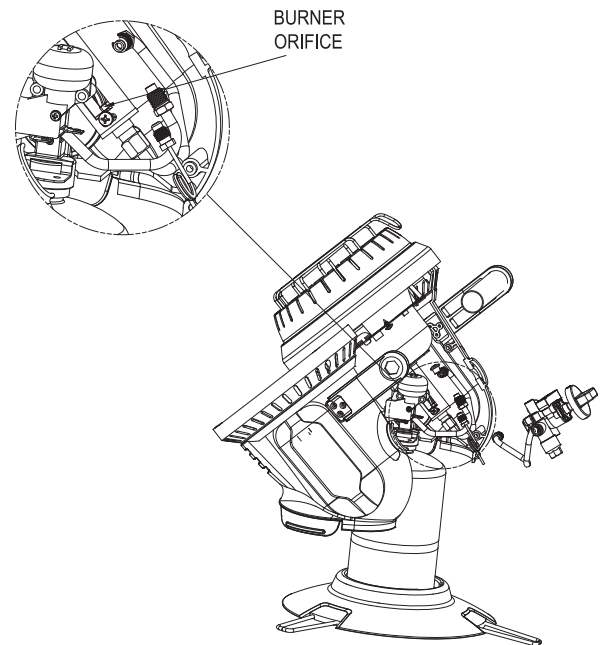


Fig. 3 - Burner Orifice Location

1. Allow heater to thoroughly cool before performing any maintenance.
2. Remove disposable 1 lb. cylinder from heater
3. Inspect interior of casing assembly for accumulation of dust, lint or spider webs. If necessary, clean interior of casing assembly with a vacuum cleaner or apply air pressure. Do not damage any components within casing assembly when you are cleaning.
4. Inspect and clean main burner orifice by using a vacuum or apply air pressure at orifice opening.
5. Inspect and clean pilot (mounted to bracket) by using a vacuum or apply air pressure through the holes in the pilot indicated by the arrows in Figure 4.

**WARNING:** Never use needles, wires, or similar cylindrical objects to clean the pilot to avoid damaging the calibrated orifice that controls the gas flow.

6. Apply air pressure into burner assembly to remove dust, lint or spider webs.

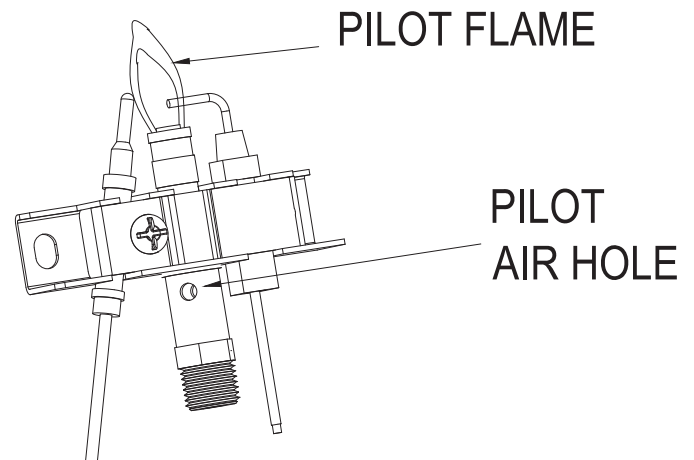


Fig. 4 - Pilot Assembly

**NEVER LEAVE THE HEATER  
UNATTENDED WHILE BURNING!**



## TROUBLESHOOTING

- ⚠ WARNING:** If you smell gas:
- Do not attempt to light appliance.
  - Extinguish any open flame.
  - Disconnect fuel supply.
  - Leave the area immediately.
  - Allow gas to dissipate 5 minutes before relighting the appliance

**⚠ WARNING:** Turn off and let cool before servicing. Only a qualified service person should service and repair heater.

**⚠ CAUTION:** Never use a wire, needle, or similar object to clean ODS/pilot. This can damage ODS/ pilot unit.

## TROUBLESHOOTING

PROBLEM	POSSIBLE CAUSE	CORRECTIVE ACTION
When ignitor knob is turned, there is no spark at ODS/pilot.	<ol style="list-style-type: none"> <li>1. Ignitor electrode is positioned wrong.</li> <li>2. Ignitor electrode is broken.</li> <li>3. Ignitor electrode is not connected to ignitor cable.</li> <li>4. Ignitor cable is pinched or wet.</li> <li>5. Damaged ignitor cable.</li> </ol>	<ol style="list-style-type: none"> <li>1. Replace electrode.</li> <li>2. Replace electrode.</li> <li>3. Replace ignitor cable</li> <li>4. Free ignitor cable if pinched by any metal or tubing. Keep ignitor cable dry.</li> <li>5. Replace ignitor cable.</li> </ol>
When ignitor knob is turned, there is a spark at ODS/ pilot but no ignition.	<ol style="list-style-type: none"> <li>1. Control knob not fully pressed in while pressing ignitor button.</li> <li>2. Air in gas lines when installed.</li> <li>3. ODS / pilot is clogged.</li> <li>4. Control knob not in PILOT position.</li> <li>5. Depleted gas supply (propane)</li> </ol>	<ol style="list-style-type: none"> <li>1. Fully press in control knob while pressing ignitor button.</li> <li>2. Continue holding down control knob. Repeat igniting operation until air is removed.</li> <li>3. Clean ODS/pilot (see Care and Maintenance on page 8) or replace ODS/pilot assembly.</li> <li>4. Turn control knob to PILOT position.</li> <li>5. Install new cylinder.</li> </ol>
ODS/pilot lights but flame goes out when control knob is released.	<ol style="list-style-type: none"> <li>1. Control knob is not fully pressed in.</li> <li>2. Control knob is not pressed in long enough.</li> <li>3. Thermocouple connection is loose.</li> <li>4. Thermocouple damaged.</li> <li>5. Control valve damaged.</li> </ol>	<ol style="list-style-type: none"> <li>1. Press in control knob fully.</li> <li>2. After ODS/pilot lights, keep control knob pressed in 30 seconds.</li> <li>3. Hand tighten until snug, and then tighten ¼ turn more.</li> <li>4. Replace thermocouple.</li> <li>5. Contact customer service.</li> </ol>
Burner does not light after ODS/pilot is lit.	<ol style="list-style-type: none"> <li>1. Burner orifice is clogged.</li> <li>2. Inlet gas pressure is too low.</li> </ol>	<ol style="list-style-type: none"> <li>1. Clean burner orifice (see Care and Maintenance on page 8) or contact customer service.</li> <li>2. Change cylinder.</li> </ol>

**NEVER LEAVE THE HEATER UNATTENDED WHILE BURNING!**

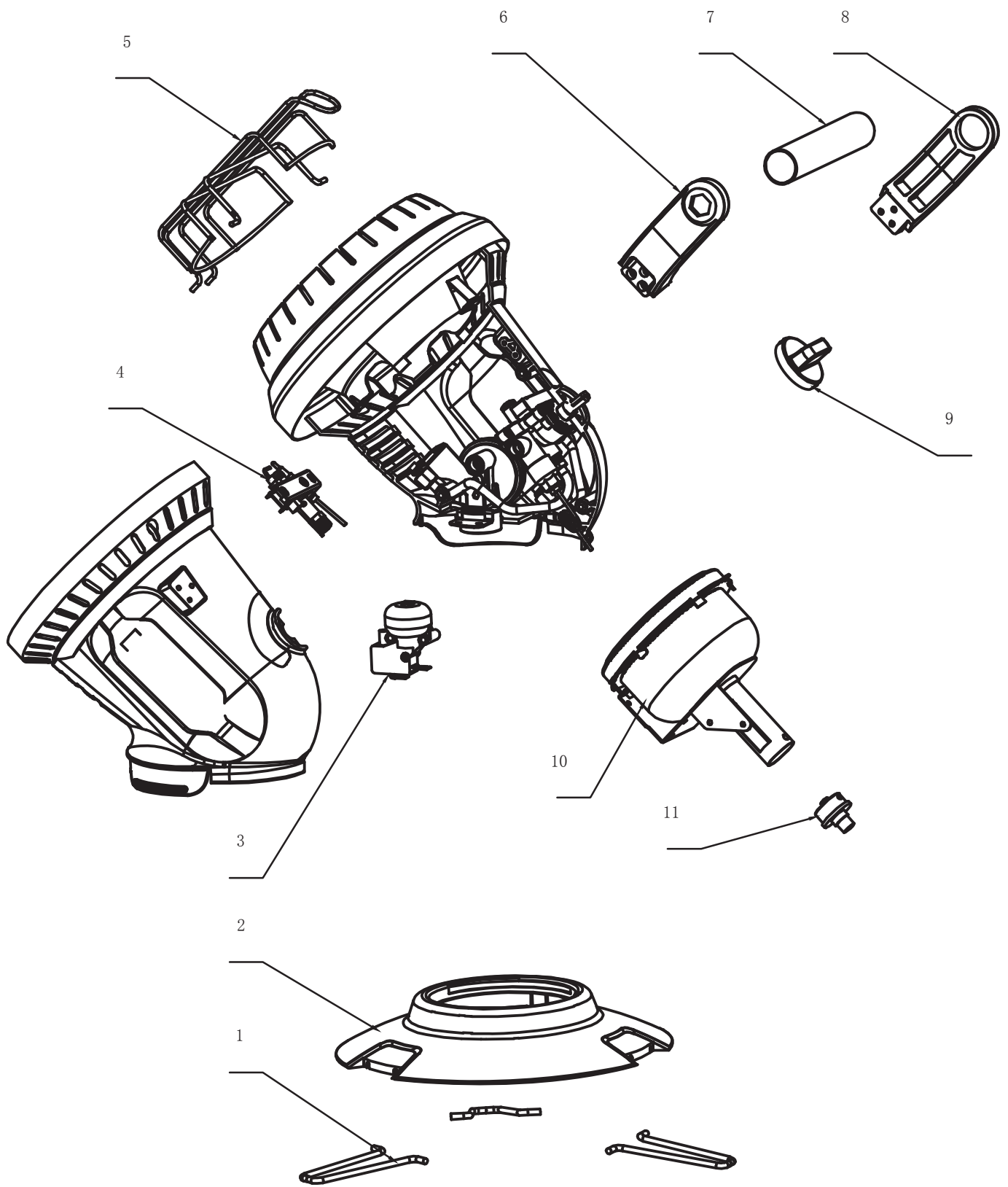
<b>PROBLEM</b>	<b>POSSIBLE CAUSE</b>	<b>CORRECTIVE ACTION</b>
Burner backfiring during combustion.	<ol style="list-style-type: none"> <li>1. Burner orifice is clogged or damaged.</li> <li>2. Burner is damaged.</li> <li>3. Gas regulator is damaged.</li> </ol>	<ol style="list-style-type: none"> <li>1. Clean burner orifice (see Care and Maintenance on page 8) or contact customer service.</li> <li>2. Contact qualified service technician.</li> <li>3. Contact qualified service technician.</li> </ol>
High yellow flame during burner combustion	<ol style="list-style-type: none"> <li>1. Not enough air.</li> <li>2. Gas regulator is defective.</li> </ol>	<ol style="list-style-type: none"> <li>1. Check burner for dirt and debris. If found, clean burner (see Care and Maintenance on page 8).</li> <li>2. Contact qualified service technician.</li> </ol>
Gas odor during combustion.	<ol style="list-style-type: none"> <li>1. Foreign matter between control valve and burner.</li> <li>2. Gas leak. (See Warning Statement on page 2).</li> </ol>	<ol style="list-style-type: none"> <li>1. Contact qualified service technician.</li> <li>2. Locate and correct all leaks.</li> </ol>
Heater produces a clicking/ticking noise just after burner is lit or shut off.	<ol style="list-style-type: none"> <li>1. Metal is expanding while heating or contracting while cooling.</li> </ol>	<ol style="list-style-type: none"> <li>1. This is common with most heaters. If noise is excessive, contact qualified service technician.</li> </ol>
Heater shuts off in use (ODS operates).	<ol style="list-style-type: none"> <li>1. Not enough fresh air is available.</li> <li>2. Low line pressure.</li> <li>3. ODS/pilot is partially clogged.</li> </ol>	<ol style="list-style-type: none"> <li>1. Open window and/or door for ventilation.</li> <li>2. Contact qualified service technician.</li> <li>3. Clean ODS/pilot (see Care and Maintenance on page 8).</li> </ol>
Gas odor exists even when control knob is in OFF position.	<ol style="list-style-type: none"> <li>1. Gas leak. See Warning Statement on page 2.</li> <li>2. Control valve is defective.</li> </ol>	<ol style="list-style-type: none"> <li>1. Locate and correct all leaks (see "Checking Gas Connections" page 4).</li> <li>2. Contact qualified service technician.</li> </ol>
Moisture/condensation noticed on windows.	<ol style="list-style-type: none"> <li>1. Not enough combustion/ventilation air.</li> </ol>	<ol style="list-style-type: none"> <li>1. Refer to "Air for Combustion and Ventilation" requirements, page 4.</li> </ol>
Slight smoke or odor during initial operation	<ol style="list-style-type: none"> <li>1. Residues from manufacturing process.</li> </ol>	<ol style="list-style-type: none"> <li>1. Problem will stop after a few hours of operation.</li> </ol>

**NEVER LEAVE THE HEATER  
UNATTENDED WHILE BURNING!**

**PARTS LIST**

<b>ITEM</b>	<b>QTY</b>	<b>DESCRIPTION</b>	<b>MODEL NUMBER PPH04</b>
1	3	Base Leg	23-5204
2	1	Base	23-0904
3	1	Tip Over Switch	23-6404
4	1	ODS Assy	23-3004
5	1	Wire Guard	23-5404
6	1	Handle Base Left	23-7004
7	1	Handle	23-7003
8	1	Handle Base Right	23-7005
9	1	Control Knob	23-1704
10	1	Burner Assy	23-0104
11	1	Nozzle Assy	23-4004

**NEVER LEAVE THE HEATER  
UNATTENDED WHILE BURNING!**





**LIMITED WARRANTY:**

This limited warranty is extended to the original retail purchaser of this Forced Air/Convection/Radiant Heater and warrants against any defect in materials and workmanship for a period of one (1) year from the date of retail sale. World Marketing of America, Inc. (WMAI) at its option, will either provide replacement parts or replace or repair the unit, when properly returned to the retailer where purchased or one of our service centers as directed by WMAI within one (1) year of retail purchase. (Shipping costs, etc. are the responsibility of the purchaser.)

**DUTIES OF THE OWNER:**

This heating appliance must be operated in accordance with the written instructions furnished with this heater. This warranty shall not excuse the owner from properly maintaining this heater in accordance with the written instructions furnished with this heater. A bill of sale, canceled check or payment record must be kept to verify purchase date and establish warranty period. Original carton should be kept in case of warranty return of unit.

**WHAT IS NOT COVERED:**

1. Damage resulting from use of improper fuel.
2. Damage caused by misuse or use contrary to the owners manual and safety guidelines.
3. Damage caused by a lack of normal maintenance.
4. Use of non-standard parts or accessories.
5. Damage caused in transit. Freight charges on warranty parts or heaters to and from the factory shall be the responsibility of the owner.

This warranty does not imply or assume any responsibility for consequential damages that may result from the use, misuse, or the lack of routine maintenance of this heating appliance. A cleaning fee and the cost of parts may be charged for appliance failures resulting from lack of maintenance. This warranty does not cover claims which do not involve defective workmanship or materials. **FAILURE TO PERFORM GENERAL MAINTENANCE (INCLUDING CLEANING) WILL VOID THIS WARRANTY.**

THIS LIMITED WARRANTY IS GIVEN TO THE PURCHASER IN LIEU OF ALL OTHER WARRANTIES, EXPRESSED OR IMPLIED, INCLUDING BUT NOT LIMITED TO THE WARRANTIES OF MERCHANTABILITY OF FITNESS FOR A PARTICULAR PURPOSE. THE REMEDY PROVIDED IN THIS WARRANTY IS EXCLUSIVE AND IS GRANTED IN LIEU OF ALL OTHER REMEDIES. IN NO EVENT WILL WMAI. BE LIABLE FOR INCIDENTAL OR CONSEQUENTIAL DAMAGES.

Some states do not allow limitations on how long an implied warranty lasts, so the above limitation may not apply to you. Some states do not allow the exclusion or limitation of incidental or consequential damages so the above limitation or exclusion may not apply to you.

**CLAIMS HANDLED AS FOLLOWS:**

1. Contact your retailer and explain the problem.
2. If the retailer is unable to resolve the problem, contact our Customer Service Dept. detailing the heater model, the problem, and proof of date of purchase.
3. A representative will contact you. DO NOT RETURN THE HEATER TO WMAI unless instructed by our Representative. This warranty gives you specific legal rights and you may also have other rights which vary from state to state.

TO REGISTER THE WARRANTY ON YOUR HEATER, PLEASE FILL OUT THIS CARD COMPLETELY AND MAIL WITHIN 14 DAYS FROM DATE OF PURCHASE OR REGISTER ON-LINE AT [www.worldmktng.com](http://www.worldmktng.com)

NAME: \_\_\_\_\_ PHONE: (     ) \_\_\_\_\_ EMAIL: \_\_\_\_\_  
ADDRESS: \_\_\_\_\_ CITY: \_\_\_\_\_ STATE: \_\_\_\_\_ ZIP: \_\_\_\_\_  
MODEL: \_\_\_\_\_ SERIAL #: \_\_\_\_\_ DATE PURCHASED: \_\_\_\_\_  
DEALER PURCHASED FROM: \_\_\_\_\_ TYPE OF STORE: \_\_\_\_\_  
CITY & STATE WHERE PURCHASED: \_\_\_\_\_ PRICE PAID: \_\_\_\_\_

**Please Take a Minute To Give Us Your Answers To The Following Questions.**

**All Responses Are Used Solely For Market Research And Are Held In Strict Confidence.**

Who primarily decided this purchase?  Male  Female      18-24  25-39  40-59  60 and over  
Purpose of Purchase? \_\_\_\_\_  
Do you own any other portable heaters?  Yes  No If yes, type \_\_\_\_\_ brand \_\_\_\_\_  
How do you intend to use your new heater?  Construction Site  Farm  Warehouse/Commercial  Garage/Outbuilding  Other  
How did you become aware of this heater?  In-Store Display  Newspaper Ad  Magazine Ad  Friend/Relative  
 TV Commercial  Store Salesperson  Other \_\_\_\_\_  
What made you select this heater?  Style  Size/Portability  Price  Package  Brand  Other \_\_\_\_\_  
Do you:  own  rent Would you recommend this heater to a friend?  Yes  No  
Please give us your comments: \_\_\_\_\_

THANK YOU FOR COMPLETING THIS FORM!  
Information will be held confidential.

## **WARRANTY REGISTRATION**

**IMPORTANT: We urge you to fill out your warranty registration card within fourteen (14) days of date of purchase. You can also register your warranty on the internet at [www.worldmkting.com](http://www.worldmkting.com). Complete the entire serial number. Retain this portion of the card for your records.**

**World Marketing of America, Inc.**

**PO Box 192**

**Mill Creek PA 17060-0192**

**Tel) 1-814-643-1775**

**[www.worldmkting.com](http://www.worldmkting.com)**

**SAVE THIS CARD!**

Place  
Postage  
Stamp  
Here

**World Marketing of America, Inc.**

**PO Box 192**

**Mill Creek PA 17060-0192**

## MANUAL DEL USUARIO E INSTRUCCIONES DE FUNCIONAMIENTO

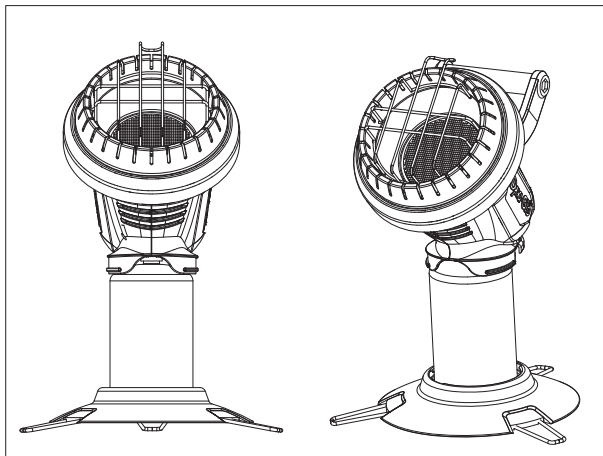
World Marketing of America, Inc. (WMAI)  
PO Box 192  
Mill Creek, PA 17060

N.º de modelo  
**PPH04**



US

ANSI Z21.103-2017 Calentadores de campamento de gas de tipo portátil sin ventilación para uso en interiores y exteriores



### LEA ATENTAMENTE LAS INSTRUCCIONES:

Lea y respete todas las instrucciones. Guarde las instrucciones en un lugar seguro para consultarlas en el futuro. No permita que nadie ensamble, encienda, ajuste ni utilice el calefactor sin leer estas instrucciones.

CALEFACTOR PORTÁTIL DE PROPANO PARA EXTERIORES, EMERGENCIAS INTERIORES Y RECINTOS RECREATIVOS PARA VENTA EN EE. UU. EXCEPTO EN MASSACHUSETTS

### ⚠️ ADVERTENCIA

#### RIESGO DE INCENDIO O EXPLOSIÓN

Que hacer si siente olor a gas:

1. No intente encender el aparato.
2. Apague cualquier llama abierta.
3. Desconecte el suministro de combustible.
4. Salga de la zona inmediatamente.
5. Permita que el gas se disipe durante 5 minutos antes de volver a encender el aparato.

No guarde ni utilice gasolina u otros vapores y líquidos inflamables cerca de este ni de ningún otro artefacto.

El incumplimiento de estas instrucciones podría ocasionar incendios o explosiones, los cuales podrían causar daños materiales, lesiones personales o la muerte.

### ⚠️ ADVERTENCIA

#### LA INTOXICACIÓN POR MONÓXIDO DE CARBONO PUEDE CAUSAR LA MUERTE O LESIONES

Si lo utiliza sin un flujo adecuado de aire de combustión y ventilación, este calefactor puede emitir una cantidad excesiva de MONÓXIDO DE CARBONO, un gas tóxico que no produce olor. Este es un calefactor a gas sin salida al exterior. El calefactor utiliza el aire (oxígeno) del área en que se utiliza. Se debe proporcionar un flujo adecuado de aire de combustión y ventilación. (Consulte la página 4).

Este calefactor está equipado con un SISTEMA DE SEGURIDAD diseñado para apagar el calefactor si no hay suficiente aire fresco disponible

**¡NO MANIPULE EL SISTEMA DE SEGURIDAD!**

Si el calefactor se apaga, no vuelva a encenderlo hasta que usted le suministre aire fresco. Si el calefactor se sigue apagando, haga que revisen el calefactor. Mantenga limpios el quemador y el compartimento de control.

**CONSUMIDOR:** conserve este manual para consultarlo cuando sea necesario.

¿Dudas, problemas, piezas faltantes? Antes de volver a la tienda, llame a nuestro departamento de servicio al cliente al 800-776-9425 de lunes a viernes de 8:30 a 5:00 EST

o escriba a [info@worldmktng.com](mailto:info@worldmktng.com)  
[www.worldmktng.com](http://www.worldmktng.com)

## CONTENIDO

Servicio / Información de pedido de piezas .....	15
Información general .....	17
Instrucciones generales sobre seguridad .....	18
Instrucciones de instalación del tanque .....	19
Instrucciones de operación de iluminación .....	20
Mantenimiento .....	22
Solución de problemas.....	23,24
Lista de piezas .....	25
Garantía .....	27

### **ADVERTENCIA:**

Cada vez que se conecta la manguera o el tanque a la unidad, se debe verificar que la conexión no tenga fugas. Para esto: Aplique agua jabonosa en la conexión, observe si hay burbujas, escuche si hay un silbido de escape de gas, palpe para comprobar si está muy frío y verifique que no haya olor a huevo podrido. ¡No utilice el artefacto si hay fugas!

### **ADVERTENCIA:**

Realizar cambios en el calefactor o en sus controles puede ser peligroso.

### **ADVERTENCIA:**

Los signos tempranos de intoxicación por monóxido de carbono se asemejan a los de la gripe, con dolores de cabeza, mareos y/o náuseas. Si presenta estos signos, es posible que el calefactor no esté funcionando correctamente. ¡Tome aire fresco inmediatamente! Haga reparar el calefactor.

### **ADVERTENCIA:**

Algunas personas —embarazadas, personas con enfermedades cardíacas o pulmonares, anémicas, las que están bajo los efectos del alcohol o las que están a alturas elevadas— se ven más afectadas por el monóxido de carbono que otras.

### **ADVERTENCIA:**

Si se trata de un espacio cerrado recreativo o comercial sin ventana ni ventilación en el techo que esté abierta, **NO UTILICE ESTE CALEFACTOR** en el interior.

**AVISO:** No para su uso en una "vivienda residencial" en California. Nunca utilice estos calefactores en un dormitorio o baño.



Este producto y los combustibles utilizados para operar este producto (propano líquido), y los productos de la combustión de dichos combustibles, pueden exponerlo a productos químicos, incluido el benceno, que el estado de California reconoce como causante de cáncer y defectos de nacimiento u otros daños reproductivos. Para obtener más información, **visite [www.p65Warnings.ca.gov](http://www.p65Warnings.ca.gov)**

### **EL USO DE EMERGENCIA EN INTERIORES SE DEFINE COMO:**

1. El sistema de calefacción permanente está temporalmente fuera de servicio.
2. El calor es necesario para evitar daños en la propiedad o su contenido.
3. El sistema de calefacción temporal no se deja desatendido.
4. El área mínima de apertura de la fuente de suministro de aire fresco debe ser de 5 pulgadas cuadradas.
5. El calefactor portátil utilizado se dejará de utilizar y se retirará del edificio en el momento en que los aparatos instalados permanentemente vuelvan a funcionar

**NUNCA DEJE DESATENDIDO EL  
CALEFACTOR MIENTRAS ESTÁ ENCENDIDO.**



## INFORMACIÓN GENERAL:

- Este calefactor es seguro para ser utilizado en el interior de espacios cerrados pequeños de uso recreativo que tengan medios para proporcionar aire de combustión y ventilación, como galerías cerradas, cabinas, cabañas de pescadores, remolques, tienda-remolques, tiendas de campaña, capotas de camionetas y furgonetas. Se puede utilizar como calefacción de emergencia para interiores si se conecta a un cilindro de gas propano de 1 lb desechable y también en espacios cerrados comerciales que tengan medios para proporcionar aire de combustión y ventilación, como casillas de obrador o compartimentos para trabajos temporarios.
- Cuando el calefactor está frío o a temperatura ambiente, demorará unos minutos para que el quemador se torne de color naranja brillante. Esto es normal y significa que el calefactor está funcionando correctamente. Además, durante el procedimiento de encendido inicial, el aceite utilizado en el proceso de fabricación debe quemarse. Observará un quemado continuo que puede llevar hasta 60 minutos, y tal vez perciba cierto olor y observe llamas de color amarillo. Esto disminuirá una vez finalizado el quemado del aceite.
- No se recomienda el uso del calefactor cuando hay mucho viento. Se pueden agitar las llamas del calentador, lo que reduce la eficacia del artefacto y podría ocasionar excesivos apagados del piloto.
- Cuando el calefactor funciona a alturas superiores a los 7000 pies sobre el nivel del mar, es posible que la unidad no queme con tanta intensidad como en alturas inferiores. Esto es normal. A alturas más elevadas, el calefactor podría apagarse. Si esto sucede, procure que haya aire fresco, espere 5 minutos y vuelva a encenderlo. Debido a las condiciones atmosféricas locales, es posible que el calefactor no se vuelva a encender.
- Si mueve el calefactor cuando está encendido o si, al colocarlo en el suelo, lo golpea, es posible que el interruptor de vuelco haga que se apague el calefactor. Si esto sucede, vuelva a encenderlo.
- El tiempo de funcionamiento variará según el lugar y el tamaño del cilindro. Consulte el gráfico y la sección "Funcionamiento en clima frío".
- La instalación de este aparato a altitudes superiores a 2000 pies (610 m) se realizará de acuerdo con los códigos locales, o en ausencia de códigos locales, con ANSI Z223.1/NFPA 54 o CSA B149.1.

## FUNCIONAMIENTO EN CLIMA FRÍO:

- Por lo general, el clima frío se define como temperaturas ambiente inferiores a 32 °F.
- Los cilindros de gas propano de 1 lb tienen dificultad para producir suficiente gas a bajas temperaturas y se pueden congelar, lo que reduce el tiempo de funcionamiento entre un 50 % y un 70 %.

1. Los tiempos de funcionamiento se reducirán considerablemente.
2. Se debe proporcionar cantidad adecuada de aire de ventilación y combustión.
3. Mantenga todas las distancias según se especifican en la página 18.

### **ADVERTENCIA:**

Observe cuidadosamente el calefactor para verificar que no haya signos de congelamiento del cilindro de 1 lb. Si la parte inferior del quemador comienza a tornarse de naranja a azul y comienza a chisporrotear, apague inmediatamente el calefactor y retírelo del espacio cerrado.

NUNCA DEJE DESATENDIDO EL  
CALEFACTOR MIENTRAS ESTÁ ENCENDIDO.

## ESPECIFICACIONES

N.º DE MODELO.....	PPH04
TIPO DE GAS .....	PROPANO
ENTRADA BTU/H.....	4200
PRESIÓN MÁX. DE SUMINISTRO.....	PRESIÓN DEL TUBO
DISTANCIA A COMBUSTIBLES (DESDE EL BORDE DE PROTECCIÓN)	
SUPERIOR .....	30 pulgadas
FRONTAL .....	24 pulgadas
LATERALES .....	6 pulgadas
TRASERA .....	0 pulgadas

## PRECAUCIÓN:

- Las superficies de linóleo se pueden decolorar si el calefactor se coloca directamente sobre el revestimiento.

Tamaño del cilindro	Tiempo de funcionamiento
	PPH04
Un cilindro de 1 lb	5 h

## INSTRUCCIONES GENERALES SOBRE SEGURIDAD

**ESTE ES UN ARTEFACTO DE CALEFACCIÓN. NO PONGA EN FUNCIONAMIENTO ESTE ARTEFACTO SI LA REJILLA DE PROTECCIÓN NO ESTÁ INSTALADA. NO INTENTE CALENTAR NI COCINAR ALIMENTOS SOBRE ESTE CALEFACTOR.**

- No utilice accesorios no aprobados en este calefactor.
- Debido a las altas temperaturas, el artefacto se debe colocar fuera del tráfico y apartado de materiales combustibles.
- Tanto los niños como los adultos deben estar al tanto de los peligros de las altas temperaturas y mantenerse alejados para evitar quemaduras o riesgo de que se les prenda fuego la ropa.
- Cuando haya niños cerca del lugar donde se encuentra el artefacto, se los deberá supervisar atentamente.
- Nunca coloque ropa u otro material inflamable sobre el artefacto o cerca de este.
- No ponga en funcionamiento el calefactor sobre un vehículo en movimiento.
- Este calefactor también se puede utilizar en un espacio cerrado de uso recreativo o comercial que tenga una ventana o una ventilación en el techo. También se puede utilizar en exteriores.
- Este calefactor requiere un área de ventilación mínima de 5 pulgadas cuadradas para que la ventilación sea adecuada durante el funcionamiento. No utilice otros artefactos que queman combustible en el interior.
- El regulador del calefactor siempre deben estar en su lugar durante el funcionamiento.
- Antes de poner en funcionamiento el calefactor, vuelva a colocar todas las protecciones que hayan sido retiradas para realizar la reparación del artefacto.
- El artefacto debe ser inspeccionado antes de cada uso. Posiblemente se requiera una limpieza frecuente. Los compartimentos de control, el quemador y los conductos de aire circulante deben mantenerse limpios; consulte la sección MANTENIMIENTO.
- NO utilice este calefactor si se ha mojado alguna de las piezas. Llame inmediatamente a un técnico calificado para que inspeccione el calefactor y reemplace las piezas del sistema de control y los controles de gas que se hayan mojado.
- Si se lo utiliza sin un flujo adecuado de aire de combustión y ventilación, el calefactor puede emitir una cantidad excesiva de MONÓXIDO DE CARBONO, un gas tóxico que no produce olor.
- Algunas personas —embarazadas, personas con enfermedades cardíacas o pulmonares, anémicas, las que están bajo los efectos del alcohol o las que están a alturas elevadas— se ven más afectadas por el monóxido de carbono que otras.
- Los cilindros se deben desconectar cuando el calefactor está fuera de uso.
- Cuando el calefactor se coloque sobre el suelo, asegúrese de que el suelo esté nivelado y mantenga cualquier objeto a una distancia mínima de 15" desde el borde del calefactor. Este calefactor está equipado con un interruptor antivoltaje que apaga el artefacto si se vuelca. No obstante, nunca deje el calefactor desatendido o en un lugar donde los niños puedan volcarlo. ¡Nunca deje en funcionamiento el calefactor mientras duerme!
- No deje este aparato desatendido mientras esté en funcionamiento. Mantenga a los niños y a las mascotas alejados del aparato en todo momento.
- Este calefactor se puede utilizar en un recinto recreativo sólo si el recinto tiene una ventana o respiradero en el techo.

**NUNCA DEJE DESATENDIDO EL CALEFACTOR MIENTRAS ESTÁ ENCENDIDO.**

## INSTRUCCIONES DE INSTALACIÓN DEL TANQUE

### Instalación del tanque para cilindros de gas propano de 1 lb con certificación del Departamento de Transporte (DOT) (Fig. 1)

- Enrosque el cilindro en la válvula de entrada del calefactor. Tenga cuidado de no enroscar demasiado.
- Coloque una solución de agua con 50 % de jabón en la junta entre el regulador y el cilindro para detectar fugas de gas.

## PARA USO EN INTERIORES Y DE EMERGENCIA

- Cuando el artefacto está en uso, se debe proporcionar un flujo adecuado de aire de combustión y ventilación. Para obtener más información, consulte las instrucciones generales sobre seguridad en la página 4.
- En este calefactor solo se pueden utilizar cilindros de 1 lb marcados con la leyenda PROPANO.
- NUNCA use un cilindro de gas propano recargable en interiores. Podría producirse un incendio o una explosión, causando daños materiales, lesiones graves e incluso la muerte.
- Los tanques de gas propano líquido deben estar contruidos y marcados de acuerdo con las especificaciones para tanques de gas propano líquido del Departamento de Transporte de los Estados Unidos (DOT).
- No se debe utilizar en una alcoba o baño.

NUNCA DEJE DESATENDIDO EL  
CALEFACTOR MIENTRAS ESTÁ ENCENDIDO.

## INSTRUCCIONES DE OPERACIÓN DE ILUMINACIÓN

Los calefactores portátiles no ventilados no deben estar expuestos a vapores líquidos inflamables.

1. Asegúrese de que la perilla de control esté en la posición de APAGADO "O".
2. Instale los cilindros de una libra como se describe en la página 5. Coloque una solución de agua con 50 % de jabón en la junta entre el regulador y el cilindro para detectar fugas de gas.
3. Oprima y gire la perilla de control hasta la posición piloto "⚡". Presione la perilla y gírela hasta la posición de apagado. Desde la posición OFF "O", presiónela y gírela en sentido contrario a las agujas del reloj hasta la posición PILOTO.
4. Mantenga presionada la perilla en la posición PILOTO durante **30 segundos o hasta asegurarse de que la llama piloto permanece encendida.**
5. Suelte la perilla. Esta debería regresar a la posición completamente extendida y el piloto debería permanecer encendido.
6. Encienda el quemador presionando levemente la perilla y girándola con suavidad hasta colocarla en la posición ON "🔥".

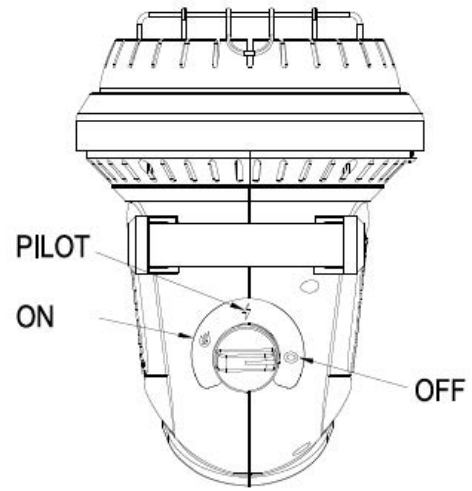


Fig. 1 - Panel de control de encendido para el modelo 10K

## ENCENDIDO EN ÁREAS VENTOSAS

1. Coloque el calefactor de manera que el piloto quede en dirección opuesta al viento. Ver figura 2.
2. Colóquese detrás del calefactor de manera que su cuerpo bloquee el viento y siga las instrucciones para encender la unidad.

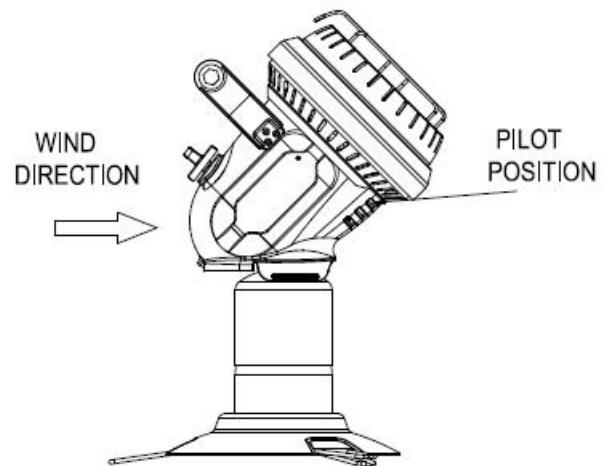


Fig. 2 - Encendido en áreas con mucho viento

NUNCA DEJE DESATENDIDO EL  
CALEFACTOR MIENTRAS ESTÁ ENCENDIDO.

## AVISO IMPORTANTE

### SOBRE EL USO DE ACCESORIOS DE TERCEROS EN TODOS LOS

#### WORLD MARKETING OF AMERICA, INC. CALENTADORES PERSONALES DE PROPANO

Estos calentadores, vendidos por World Marketing of America, Inc. (WMAI), cuentan con un sensor de agotamiento de oxígeno ("ODS"), que apaga el calentador si el oxígeno en la habitación desciende por debajo de cierto punto, y un interruptor de seguridad contra vuelcos que lo apaga en caso de ser golpeado de lado. Estas características permiten que el calentador se use de manera segura durante numerosas actividades en interiores y exteriores.

WMAI reconoce los diferentes accesorios de terceros para el calentador de propano personal y está al tanto de su intención. finalidad de utilizar el producto para calentar o cocinar alimentos. WMAI recomienda encarecidamente que estos archivos adjuntos de terceros NO se utilicen como no están certificados ni son seguros para calentar o cocinar alimentos de ningún tipo. Estos calentadores no están certificados como cocina y no están diseñados para operar de esta manera. WMAI prohíbe explícitamente el uso de cualquier tipo de archivos adjuntos no aprobados con sus calentadores personales de propano.

## ADVERTENCIA:

Este producto es un calefactor. Está certificado por ANSI Z21.103-2017 para Calefactores de gas portátiles para campamentos sin ventilación para uso en interiores y exteriores.




Este producto NUNCA se debe utilizar para cocinar o calentar alimentos, ya que esto puede interferir en los sistemas de seguridad del calefactor, lo que podría provocar un incendio, una explosión, la producción de monóxido de carbono mortal y lesiones personales o mortales a usted o a otras personas. NUNCA utilice accesorios ni dispositivos de terceros ni hechos a mano en este calefactor; es muy peligroso y podría ocasionar lesiones personales o mortales a usted o a otras personas.

### INFORMACIÓN DE GARANTÍA

WMAI garantiza que sus calentadores y accesorios están libres de defectos de material y mano de obra por un período de 1 año a partir de la fecha de compra. WMAI reparará o reemplazará este producto sin cargo si se demuestra que tiene defectos dentro del período de 1 año y se devuelve a cargo del cliente con el comprobante de compra a WMAI dentro del período de garantía.

DESCARGO DE RESPONSABILIDAD: Esta garantía no cubre ningún producto que: a) haya sido objeto de mal uso o negligencia; b) se ha utilizado de manera incompatible con las advertencias e instrucciones contenidas en el manual del propietario, incluido, entre otros, el uso de un calentador para cocinar o calentar alimentos; o c) se ha utilizado con accesorios o aditamentos hechos a mano o de terceros.

WMAI prohíbe el uso de calentadores personales de propano para cocinar o calentar alimentos. Se prohíbe el uso de accesorios de terceros destinados a cambiar el funcionamiento previsto de los calentadores, ya que podrían causar daños graves a los consumidores. El uso de dichos productos con calentadores WMAI anulará inmediatamente la garantía del producto. WMAI valora la seguridad de sus consumidores por encima de todo y aprecia su confianza continua en todos los productos de WMAI. No dude en contactarnos en [info@worldmktng.com](mailto:info@worldmktng.com) si tiene alguna pregunta.

-  **PRECAUCIÓN:** Una vez que se apague el calefactor, la rejilla de protección seguirá estando caliente. Deje que se enfríe completamente antes de mover o guardar el calefactor.
-  **PRECAUCIÓN:** Cuando no esté en uso, se debe cerrar el gas en el cilindro de suministro de gas propano líquido. Como se indicó anteriormente, deje que el calefactor utilice todo el gas propano de la tubería de suministro hasta que el calefactor se apague. Cuando el cilindro de suministro de gas propano líquido no está conectado en el calefactor, el cilindro se deben guardar al aire libre, en un espacio bien ventilado, fuera del alcance de los niños, y no se debe guardar dentro de un edificio, garaje ni ningún otro lugar cerrado. Desconecte todos los cilindros cuando el calefactor no esté en uso.
-  **PRECAUCIÓN:** El calefactor se puede guardar en un espacio interior siempre que se haya desconectado y extraído el cilindro. Los cilindros se deben guardar al aire libre, fuera del alcance de los niños; no se deben guardar dentro de un edificio, garaje ni ningún otro lugar cerrado.

Los cilindros de 1 lb y 20 lb deben estar en posición vertical durante el uso para garantizar que el vapor se extraiga correctamente.

Los cilindros de 1 lb deben estar fabricados y aprobados por el Departamento de Transporte (DOT) y deben tener una conexión de salida compatible con el accesorio CGA 600.

NUNCA DEJE DESATENDIDO EL  
CALEFACTOR MIENTRAS ESTÁ ENCENDIDO.

## MANTENIMIENTO:

Siempre asegúrese de que no haya material combustible, gasolina ni otros vapores y líquidos inflamables en el lugar donde se encuentra el calefactor. Mantenga en todo momento despejadas las áreas de ventilación (ranuras en la parte inferior y superior, en el frente del calefactor) de manera que la combustión y el aire de ventilación no estén obstruidos. Con frecuencia, inspeccione visualmente la llama piloto y el quemador durante el uso para verificar que la combustión y el aire de ventilación no estén obstruidos. La llama del piloto debe ser de color azul (no amarillo) y se debe extender más allá de la termocupla. La llama rodeará la termocupla debajo de la punta; consulte la Figura 4. Se puede producir una llama de color levemente amarillo cuando la llama del piloto se cruza con la llama del quemador principal. Los quemadores deben ser de color naranja brillante (con un color levemente azul en torno al borde; una sombra de color naranja rojizo visible en el quemador es aceptable) y sin una llama perceptible. Una llama azul que se despliega en la parte superior indica una acumulación de polvo, pelusas o telarañas adentro del conjunto del quemador principal. Si el piloto es amarillo o el quemador tiene una llama perceptible, posiblemente se requiera una limpieza. Utilice el siguiente procedimiento para inspeccionar el conjunto del quemador principal. Si es necesario revise periódicamente el orificio y el tubo de Venturi del quemador para asegurarse de que estén limpios y no tengan insectos, nidos o telarañas que se suelen acumular con el tiempo. Se recomienda especialmente que estas instrucciones de mantenimiento se realicen una vez por año. Un tubo obstruido puede ocasionar un incendio.

1. Deje que el calefactor se enfríe completamente antes de realizar cualquier tarea de mantenimiento.
2. Extraiga el cilindro de 1 lb del calefactor.
3. Inspeccione que no haya polvo, pelusas ni telarañas acumulados en el interior del conjunto de la carcasa. Si es necesario, limpie el interior del conjunto de la carcasa con una aspiradora o aplique presión de aire. Tenga cuidado de no dañar ningún componente del conjunto de la carcasa durante la limpieza.
4. Inspeccione y limpie el orificio del quemador utilizando una aspiradora o aplicando presión de aire en la abertura del orificio.
5. Inspeccione y limpie el piloto (montado en el soporte) utilizando una aspiradora o aplicando presión de aire a través de los orificios del piloto, que se indican con flechas en la figura 4.

**ADVERTENCIA:** Nunca utilice agujas, alambres ni otros objetos cilíndricos similares para limpiar el piloto ya que podría dañar el orificio calibrado que controla el flujo de gas.

6. Aplique presión de aire en el conjunto del quemador para quitar el polvo, las pelusas o las telarañas.

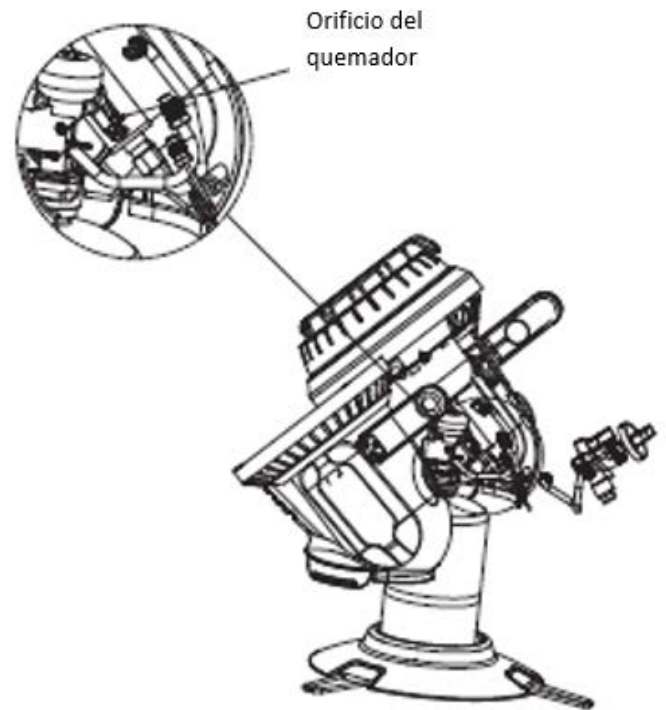


Fig. 3 - Ubicación del orificio del quemador

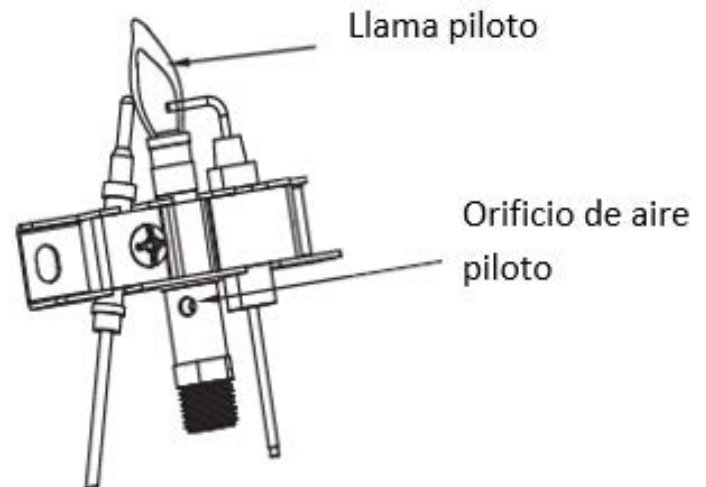


Fig. 4 - Conjunto del piloto

## SOLUCIÓN DE PROBLEMAS

**⚠ ADVERTENCIA:** Que hacer si siente olor a gas:

- No intente encender el aparato.
- Apague cualquier llama abierta.
- Desconecte el suministro de combustible.
- Salga de la zona inmediatamente.
- Permita que el gas se disipe durante 5 minutos antes de volver a encender el aparato.

**IMPORTANTE:** Poner en funcionamiento el calefactor cuando hay impurezas en el aire podría causar olores. Los elementos de limpieza, las pinturas, los removedores de pintura, el humo del cigarrillo, el cemento y los pegamentos, las alfombras o telas nuevas, etc. generan humos. Estos humos se pueden mezclar con el aire de combustión y crear olores.

**⚠ ADVERTENCIA:** Apague el calefactor y déjelo enfriar antes de repararlo. Solamente un técnico capacitado debe realizar el mantenimiento y la reparación del calefactor.

**⚠ PRECAUCIÓN:** Nunca utilice un alambre, una aguja ni un objeto similar para limpiar el ODS/piloto. Esto puede dañar la unidad del ODS/piloto.

## SOLUCIÓN DE PROBLEMAS

PROBLEMA	POSIBLE CAUSA	ACCIÓN CORRECTIVA
Cuando se gira la perilla del dispositivo de encendido, no hay chispas en el ODS/piloto.	<ol style="list-style-type: none"> <li>1. El electrodo del dispositivo de encendido está mal ubicado.</li> <li>2. El electrodo del dispositivo de encendido está roto.</li> <li>3. El electrodo del dispositivo de encendido no está conectado al cable del dispositivo.</li> <li>4. El cable del dispositivo de encendido está aplastado o húmedo.</li> <li>5. El cable del dispositivo de encendido está dañado.</li> </ol>	<ol style="list-style-type: none"> <li>1. Reemplace el electrodo.</li> <li>2. Reemplace el electrodo.</li> <li>3. Reemplace el cable del dispositivo de encendido.</li> <li>4. Libere el cable del dispositivo de encendido si está aplastado debajo de un metal o una tubería. Mantenga seco el cable del dispositivo de encendido.</li> <li>5. Reemplace el cable del dispositivo de encendido.</li> </ol>
Cuando se gira la perilla del dispositivo de encendido, hay una chispa en el ODS/piloto, pero no se enciende.	<ol style="list-style-type: none"> <li>1. La perilla de control no se presiona completamente al pulsar el botón del dispositivo de encendido.</li> <li>2. Quedó aire en la tubería de gas cuando se instaló.</li> <li>3. El ODS/piloto está obstruido.</li> <li>4. La perilla de control no está en la posición PILOTO.</li> <li>5. El suministro de gas (propano) está agotado.</li> </ol>	<ol style="list-style-type: none"> <li>1. Presione completamente la perilla de control al pulsar el botón del dispositivo de encendido.</li> <li>2. Mantenga presionada la perilla de control. Repita el procedimiento de encendido hasta que se elimine el aire.</li> <li>3. Limpie el ODS/piloto (consulte Cuidado y mantenimiento, página 24) o reemplace el conjunto del ODS/piloto.</li> <li>4. Gire la perilla de control a la posición PILOTO.</li> <li>5. Instale el cilindro nuevo.</li> </ol>
El ODS/piloto se enciende, pero la llama se apaga cuando se suelta la perilla de control.	<ol style="list-style-type: none"> <li>1. La perilla de control no está bien presionada.</li> <li>2. La perilla de control no se mantiene presionada lo suficiente.</li> <li>3. La conexión de la termocupla está floja.</li> <li>4. La termocupla está dañada.</li> <li>5. La válvula de control está dañada.</li> </ol>	<ol style="list-style-type: none"> <li>1. Presione completamente la perilla de control.</li> <li>2. Una vez que el ODS/piloto se encienda, mantenga presionada la perilla de control durante 30 segundos.</li> <li>3. Ajuste con la mano hasta que quede bien apretada y luego ajuste ¼ giro más.</li> <li>4. Reemplace la termocupla.</li> <li>5. Comuníquese con el servicio al cliente.</li> </ol>
El quemador no se encienden después de encender el ODS/piloto.	<ol style="list-style-type: none"> <li>1. El orificio del quemador está obstruido.</li> <li>2. La presión del gas de entrada es demasiado baja.</li> </ol>	<ol style="list-style-type: none"> <li>1. Limpie el orificio del quemador (consulte Cuidado y mantenimiento, página 22) o comuníquese con el servicio al cliente.</li> <li>2. Cambie el cilindro</li> </ol>

NUNCA DEJE DESATENDIDO EL CALEFACTOR MIENTRAS ESTÁ ENCENDIDO.



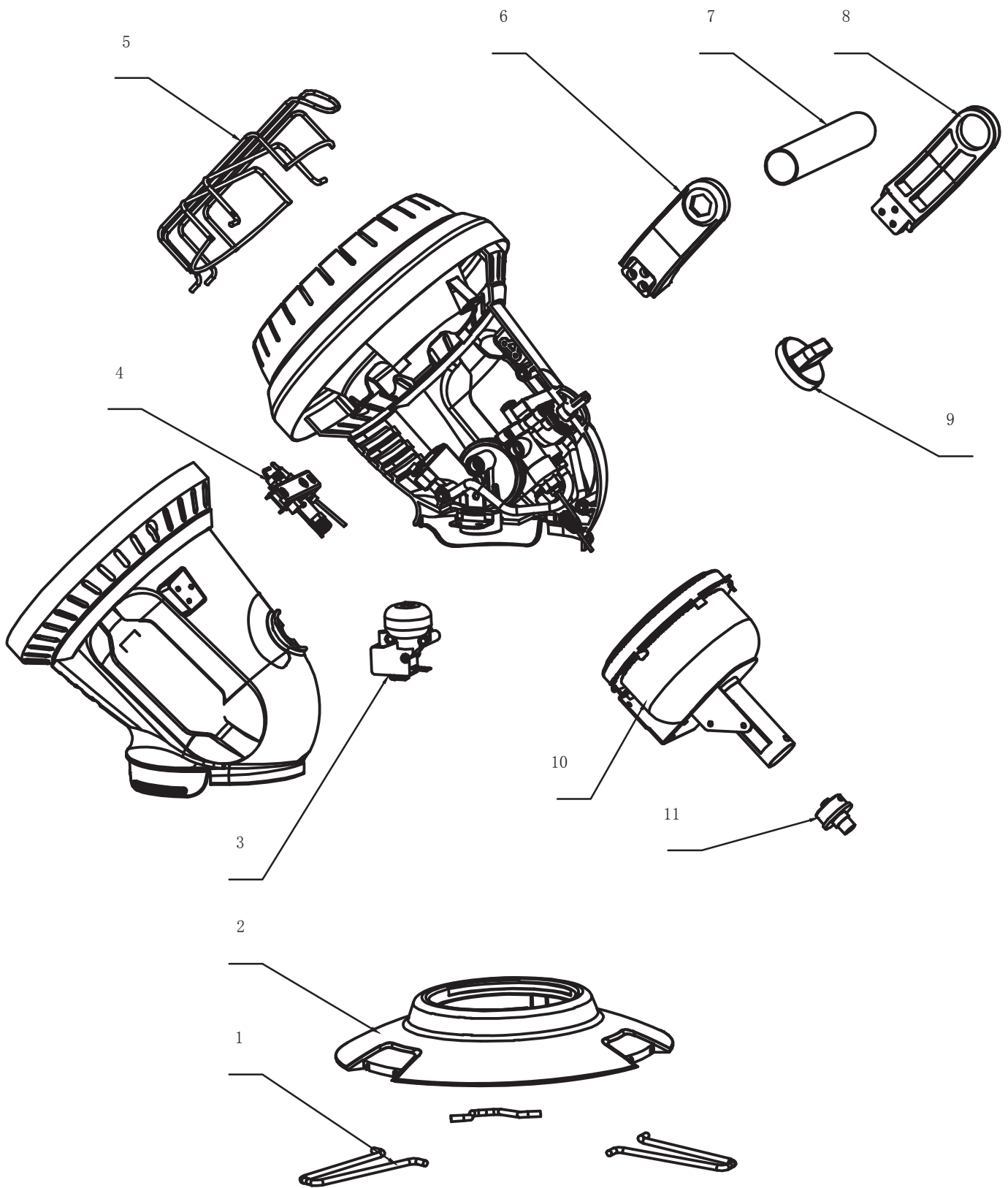
PROBLEMA	POSIBLE CAUSA	ACCIÓN CORRECTIVA
El quemador hace explosiones durante la combustión.	<ol style="list-style-type: none"> <li>1. El orificio del quemador está obstruido o dañado.</li> <li>2. El quemador está dañado.</li> <li>3. El regulador de gas está dañado.</li> </ol>	<ol style="list-style-type: none"> <li>1. Limpie el orificio del quemador (consulte Cuidado y mantenimiento, página 22) o comuníquese con el servicio al cliente.</li> <li>2. Comuníquese con un técnico de servicio calificado.</li> <li>3. Comuníquese con un técnico de servicio calificado.</li> </ol>
La llama es alta y amarilla durante la combustión del quemador.	<ol style="list-style-type: none"> <li>1. No hay suficiente aire.</li> <li>2. El regulador de gas tiene un defecto.</li> </ol>	<ol style="list-style-type: none"> <li>1. Verifique que no haya suciedad ni desechos en el quemador. En este caso, limpie el quemador (consulte Cuidado y mantenimiento, página 22).</li> <li>2. Comuníquese con un técnico de servicio calificado.</li> </ol>
Hay olor a gas durante la combustión.	<ol style="list-style-type: none"> <li>1. Hay una materia extraña entre la válvula de control y el quemador.</li> <li>2. Hay fuga de gas. (Consulte la advertencia de la página 16).</li> </ol>	<ol style="list-style-type: none"> <li>1. Desmonte la tubería de gas y extraiga la materia extraña.</li> <li>2. Localice y corrija todas las fugas.</li> </ol>
El calentador produce un ruido de chasquido inmediatamente después de encender o apagar el quemador.	<ol style="list-style-type: none"> <li>1. El metal se expande al calentarse y se contrae al enfriarse.</li> </ol>	<ol style="list-style-type: none"> <li>1. Esto es común en la mayoría de los calefactores. Si el ruido es excesivo, comuníquese con un técnico capacitado.</li> </ol>
El calentador se apaga cuando está en uso (se activa el ODS).	<ol style="list-style-type: none"> <li>1. No hay suficiente aire fresco.</li> <li>2. La presión en la tubería es baja.</li> <li>3. El ODS/piloto está parcialmente obstruido.</li> </ol>	<ol style="list-style-type: none"> <li>1. Abra una ventana y/o una puerta para que haya ventilación.</li> <li>2. Comuníquese con un técnico de servicio calificado.</li> <li>3. Limpie el ODS/piloto (consulte Cuidado y mantenimiento, página 22).</li> </ol>
Hay olor a gas aunque la perilla de control está en posición APAGADO.	<ol style="list-style-type: none"> <li>1. Hay fuga de gas. Consulte la advertencia de la página 30.</li> <li>2. La válvula de control está dañada.</li> </ol>	<ol style="list-style-type: none"> <li>1. Localice y corrija todas las fugas (consulte "Verificación de las conexiones de gas", página 18).</li> <li>2. Comuníquese con el servicio al cliente.</li> </ol>
Se observa humedad/condensación en las ventanas.	<ol style="list-style-type: none"> <li>1. No hay suficiente aire de combustión/ventilación.</li> </ol>	<ol style="list-style-type: none"> <li>1. Consulte los requisitos de "Aire para combustión y ventilación", página 18.</li> </ol>
Hay un poco de humo u olor cuando se enciende por primera vez.	<ol style="list-style-type: none"> <li>1. Residuos del proceso de fabricación.</li> </ol>	<ol style="list-style-type: none"> <li>1. El problema se solucionará después de unas horas de funcionamiento.</li> </ol>



**LISTA DE PIEZAS**

<b>ARTÍCULO</b>	<b>CANT.</b>	<b>DESCRIPCIÓN</b>	<b>PPH04</b>
1	3	Pata de la base	23-5204
2	1	Base	23-0904
3	1	Interruptor antivolcamiento	23-6404
4	1	Conjunto del ODS	23-3004
5	1	Protector del cableado	23-5404
6	1	Asa izquierda de la base	23-7004
7	1	Asa	23-7003
8	1	Asa derecha de la base	23-7005
9	1	Perilla de control	23-1704
10	1	Conjunto del quemador	23-0104
11	1	Conjunto de la boquilla	23-4004

NUNCA DEJE DESATENDIDO EL  
CALEFACTOR MIENTRAS ESTÁ ENCENDIDO.



NUNCA DEJE DESATENDIDO EL CALEFACTOR MIENTRAS ESTÁ ENCENDIDO.



### **GARANTÍA LIMITADA:**

Esta garantía limitada se extiende al comprador minorista original de este calentador de aire forzado/convección/radiante y garantiza contra cualquier defecto en materiales y mano de obra por un período de un (1) año a partir de la fecha de venta minorista. World Marketing of America, Inc. (WMAI), a su elección, proporcionará piezas de repuesto o reemplazará o reparará la unidad, cuando se devuelva correctamente al minorista donde se compró o a uno de nuestros centros de servicio según lo indique WMAI dentro de un (1) año, de compra al por menor. (Los gastos de envío, mano de obra, etc. corren a cargo del comprador).

### **DEBERES DEL PROPIETARIO:**

Este aparato de calefacción debe operarse de acuerdo con las instrucciones escritas provistas con este calentador. Esta garantía no excusará al propietario de mantener adecuadamente este calentador de acuerdo con las instrucciones escritas provistas con este calentador. Se debe mantener una factura de venta, un cheque cancelado o un registro de pago para verificar la fecha de compra y establecer el período de garantía. La caja original debe conservarse en caso de devolución de garantía de la unidad.

### **LO QUE NO ESTÁ CUBIERTO:**

1. Daños resultantes del uso de combustible inadecuado.
2. Daños causados por mal uso o uso contrario al manual del propietario y las pautas de seguridad.
3. Daños causados por falta de mantenimiento normal.
4. Uso de piezas o accesorios no estándar.
5. Daños causados en tránsito. Los gastos de flete de las piezas o calentadores en garantía hacia y desde la fábrica serán responsabilidad del propietario.

**Esta garantía no implica ni asume ninguna responsabilidad por daños consecuentes que puedan resultar del uso, mal uso o la falta de mantenimiento de rutina de este aparato de calefacción. Se puede cobrar una tarifa de limpieza y el costo de las piezas por fallas en el aparato que resulten de la falta de mantenimiento. Esta garantía no cubre reclamos que no involucren mano de obra o materiales defectuosos. LA FALTA DE REALIZACIÓN DEL MANTENIMIENTO GENERAL (INCLUIDA LA LIMPIEZA) ANULARÁ ESTA GARANTÍA.**

ESTA GARANTÍA LIMITADA SE OTORGA AL COMPRADOR EN LUGAR DE TODAS LAS DEMÁS GARANTÍAS, EXPLÍCITAS O IMPLÍCITAS, INCLUIDAS, ENTRE OTRAS, LAS GARANTÍAS DE COMERCIABILIDAD O IDONEIDAD PARA UN PROPÓSITO EN PARTICULAR. EL RECURSO PROPORCIONADO EN ESTA GARANTÍA ES EXCLUSIVO Y SE CONCEDE EN LUGAR DE TODOS LOS DEMÁS RECURSOS. EN NINGÚN CASO WMAI. SER RESPONSABLE POR DAÑOS INCIDENTALES O CONSECUENTES.

Algunos estados no permiten limitaciones sobre la duración de una garantía implícita, por lo que es posible que la limitación anterior no se aplique a usted. Algunos estados no permiten la exclusión o limitación de daños incidentales o consecuentes, por lo que es posible que la limitación o exclusión anterior no se aplique a usted.

### **LAS RECLAMACIONES SE GESTIONAN DE LA SIGUIENTE MANERA:**

1. Póngase en contacto con su distribuidor y explíquelo el problema.
2. Si el minorista no puede resolver el problema, comuníquese con nuestro Departamento de Servicio al Cliente detallando el modelo de calentador, el problema y el comprobante de la fecha de compra.
3. Un representante se comunicará con usted. NO DEVUELVA EL CALENTADOR A WMAI a menos que se lo indique nuestro representante. Esta garantía le otorga derechos legales específicos y también puede tener otros derechos que varían de un estado a otro.

PARA REGISTRAR LA GARANTÍA DE SU CALENTADOR, POR FAVOR LLENE ESTA TARJETA COMPLETAMENTE Y ENVÍE POR CORREO DENTRO DE LOS 14 DÍAS A PARTIR DE LA FECHA DE COMPRA O REGÍSTRESE EN LÍNEA EN [www.worldmktg.com](http://www.worldmktg.com)

NOMBRE: \_\_\_\_\_ TELÉFONO: ( ) \_\_\_\_\_ CORREO ELECTRÓNICO: \_\_\_\_\_  
DIRECCIÓN: \_\_\_\_\_ CIUDAD: \_\_\_\_\_ ESTADO: \_\_\_\_\_ CÓDIGO POSTAL: \_\_\_\_\_  
MODELO: \_\_\_\_\_ N° DE SERIE: \_\_\_\_\_ FECHA DE COMPRA: \_\_\_\_\_ DISTRIBUIDOR  
EN EL QUE SE COMPRÓ: \_\_\_\_\_ TIPO DE TIENDA: \_\_\_\_\_ CIUDAD Y ESTADO DONDE  
SE COMPRÓ: \_\_\_\_\_ PRECIO PAGADO: \_\_\_\_\_

**Por favor, tómese un minuto para responder las siguientes preguntas:**

**Todas las respuestas son usadas con propósitos de investigación de mercado y se conservan en estricta confidencialidad.**

- ¿Quién decidió realizar esta compra?  Hombre  Mujer  18-24  25-39  40-59  60+
- ¿Ocupación?  Labores del hogar  Operador/trabajador/obrero  Profesional  Servicios  Personal de oficina  
 Retirado  Estudiante  Otro \_\_\_\_\_
- ¿Ingreso del hogar?  Menos de \$20 000  \$20-39,000  \$40-59,000  \$60-79,000  \$80,000+
- ¿Cómo se enteró de este aparato?  Exhibición en una tienda  Anuncio en periódico  Anuncio en revista  
 Amigo/pariente  Anuncio publicitario en TV  Vendedor de la tienda  Otro \_\_\_\_\_
- ¿Qué influyó sobre su decisión de elegir este aparato?  Estilo  Tamaño/portabilidad  Durabilidad  
 Garantía  Empaque  Otro \_\_\_\_\_
- Especifique si usted:  Es propietario  Es inquilino

¿Recomendaría este calefactor a un amigo?  Sí  No

Por favor, escriba aquí sus comentarios. \_\_\_\_\_

## **REGISTRO DE GARANTÍA**

**IMPORTANTE:** Le recomendamos que complete su tarjeta de registro de garantía dentro de los catorce (14) días posteriores a la fecha de compra. También puede registrar su garantía en Internet en [www.worldmkting.com](http://www.worldmkting.com). Complete el número de serie completo. Conserve esta parte de la tarjeta para sus registros.

**World Marketing of America, Inc.**

**PO Box 192**

**Mill Creek PA 17060-0192**

**Tel) 1-814-643-1775**

**[www.worldmkting.com](http://www.worldmkting.com)**

**¡GUARDE ESTA TARJETA!**

Coloque aquí  
el sello postal

**World Marketing of America, Inc.**

**PO Box 192**

**Mill Creek PA 17060-0192**